

R32 MULTI SPLIT



R32 MULTI SPLIT SPECIFICATION

OUTDOOR UNITS



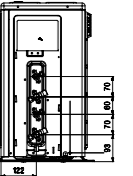
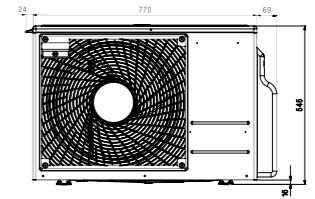
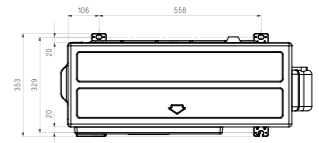
RESIDENTIAL
MULTI SPLIT

MU2R15
MU2R17

(Unit : mm)



LG participates in the ECP programme for EUROVENT AC program.
Check ongoing validity of certification
: www.eurovent-certification.com



OUTDOOR UNITS				MU2R15 ULO	MU2R17 ULO	
Compressor	Type			Twin Rotary	Twin Rotary	
Capacity *	Cooling	Min / Nom / Max	kW	0.9 / 4.1 / 4.7	0.9 / 4.7 / 5.4	
	Heating	Min / Nom / Max	kW	1.0 / 4.7 / 5.4	1.0 / 5.3 / 5.7	
Low Temperature Capacity	Heating -7°C	Max	kW	3.3	3.7	
Power Input *	Cooling	Min / Nom / Max	kW	0.2 / 1.0 / 1.4	0.2 / 1.3 / 1.7	
	Heating	Min / Nom / Max	kW	0.2 / 1.1 / 1.4	0.2 / 1.3 / 1.6	
Running Current	Cooling	Min / Nom / Max	A	1.1 / 4.6 / 6.4	1.1 / 5.6 / 7.9	
	Heating	Min / Nom / Max	A	1.1 / 4.9 / 6.6	1.1 / 5.5 / 7.6	
EER				4.14	3.75	
COP				4.38	4.22	
SEER				8.50	7.80	
SCOP				4.20	4.20	
Pdesign (@-10°C)			kW	4.10	4.10	
Seasonal Energy Label	Cooling / Heating (A+++ to D Scale)			A+++ / A+	A++ / A+	
Annual Energy Consumption	Cooling / Heating			169 / 1,367	210 / 1,367	
Airflow Rate	Nom		m ³ /min	28.2	28.2	
Sound Pressure	Cooling	Nom	dB(A)	48	48	
	Heating	Nom	dB(A)	51	51	
Sound Power	Cooling	Max	dB(A)	61	63	
Dimensions	W x H x D		mm	770 x 545 x 288	770 x 545 x 288	
Net Weight			Kg	36	36	
Refrigerant	Type			R32	R32	
	Charge		Kg	1.1	1.1	
	Additional Charge		g/m	20	20	
	GWP				675	675
	t-CO ₂ eq				0.74	0.74
Operation Range (Outdoor)	Cooling	Min / Max	°C DB	-10 / 48	-10 / 48	
	Heating	Min / Max	°C WB	-18 / 18	-18 / 18	
Power Supply			Ø, V, Hz	1, 220-240, 50	1, 220-240, 50	
Power Supply Cable			No. x mm ²	3C x 2.5	3C x 2.5	
Transmission Cable			No. x mm ²	4C x 0.75	4C x 0.75	
Circuit Breaker			A	15	15	
Piping Length Total			m	30	30	
Piping Length per Branch		Max	m	20	20	
Piping Elevation Difference	IDU - ODU	Max	m	15	15	
	IDU - IDU	Max	m	7.5	7.5	
Piping Connection	Liquid		mm (inch) x No.	Ø6.35 (1/4) x 2	Ø6.35 (1/4) x 2	
	Gas		mm (inch) x No.	Ø9.52 (3/8) x 2	Ø9.52 (3/8) x 2	

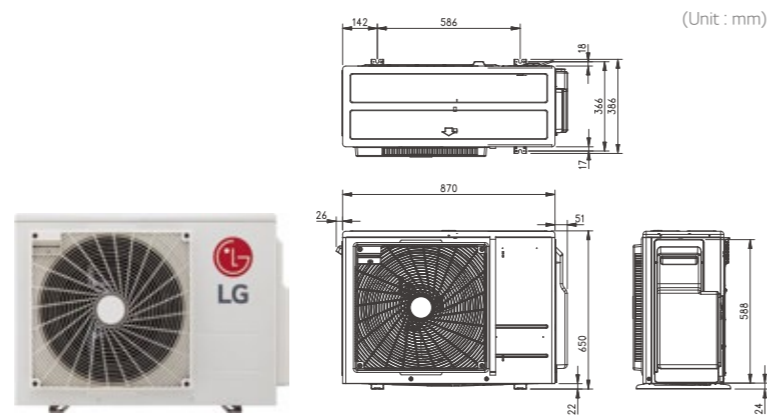
Notes :

- Capacities are based on the following conditions:
Cooling : - Indoor Temperature 27°C (80.6°F) DB / 19°C (66.2°F) WB - Outdoor Temperature 35°C (95°F) DB / 24°C (75.2°F) WB
Heating : - Indoor Temperature 20°C (68°F) DB / 15°C (59°F) WB - Outdoor Temperature 7°C (44.6°F) DB / 6°C (42.8°F) WB
Piping Length - Interconnecting Piping Length 7.5m - Level Difference of Zero.
- * : See page "Combination Table".
- Due to our policy of innovation some specifications may be changed without notification.
- At least two indoor units should be connected
- Minimum combination ratio should be more than 40%
- This product contains fluorinated greenhouse gases (R32)

OUTDOOR UNITS



MU3R19
MU3R21
MU4R25



OUTDOOR UNITS				MU3R19 U21	MU3R21 U21	MU4R25 U21
Compressor	Type			Twin Rotary	Twin Rotary	Twin Rotary
	Capacity *	Cooling	Min / Nom / Max kW	1.1 / 5.3 / 6.3	1.1 / 6.2 / 7.3	1.1 / 7.0 / 8.5
Capacity *	Heating	Min / Nom / Max kW	1.2 / 6.3 / 7.3	1.2 / 7.0 / 7.8	1.2 / 8.1 / 9.1	
	Low Temperature Capacity	Heating -7°C	Max kW	5.2	5.5	5.9
Power Input *	Cooling	Min / Nom / Max kW	0.3 / 1.1 / 2.0	0.3 / 1.4 / 2.5	0.3 / 1.8 / 2.8	
	Heating	Min / Nom / Max kW	0.3 / 1.3 / 2.0	0.3 / 1.5 / 2.4	0.3 / 1.8 / 2.9	
Running Current	Cooling	Min / Nom / Max A	1.3 / 5.0 / 9.2	1.3 / 6.5 / 11.1	1.3 / 8.0 / 12.6	
	Heating	Min / Nom / Max A	1.3 / 5.7 / 9.2	1.3 / 6.9 / 10.8	1.3 / 8.3 / 12.9	
EER			4.75	4.28	4.00	
COP			5.00	4.60	4.40	
SEER			8.50	8.50	8.00	
SCOP			4.40	4.40	4.40	
Pdesign (@-10°C)			kW	5.20	5.20	5.40
Seasonal Energy Label	Cooling / Heating (A+++ to D Scale)			A+++ / A+	A+++ / A+	A++ / A+
Annual Energy Consumption	Cooling / Heating			217 / 1,655	253 / 1,655	308 / 1,718
Airflow Rate	Nom	m ³ /min	50	50	50	
Sound Pressure	Cooling	Nom dB(A)	48	49	50	
	Heating	Nom dB(A)	53	54	54	
Sound Power	Cooling	Max dB(A)	63	64	66	
Dimensions	W x H x D	mm	870 x 650 x 330	870 x 650 x 330	870 x 650 x 330	
Net Weight			Kg	46	46	46.2
Refrigerant	Type			R32	R32	R32
	Charge			Kg	1.4	1.4
	Additional Charge			g/m	20	20
	GWP				675	675
	t-CO ₂ eq				0.945	0.945
Operation Range (Outdoor)	Cooling	Min / Max °C DB	-10 ~ 48	-10 ~ 48	-10 ~ 48	
	Heating	Min / Max °C WB	-18 ~ 18	-18 ~ 18	-18 ~ 18	
Power Supply			Ø, V, Hz	1, 220-240, 50	1, 220-240, 50	1, 220-240, 50
Power Supply Cable			No. x mm ²	3C x 2.5	3C x 2.5	3C x 2.5
Transmission Cable			No. x mm ²	4C x 0.75	4C x 0.75	4C x 0.75
Circuit Breaker			A	20	20	20
Piping Length Total			m	50	50	70
Piping Length per Branch	Max	m	25	25	25	
Piping Elevation Difference	IDU - ODU	Max m	15	15	15	
	IDU - IDU	Max m	7.5	7.5	7.5	
Piping Connection	Liquid	mm (inch) x No.	Ø6.35 (1/4) x 3	Ø6.35 (1/4) x 3	Ø6.35 (1/4) x 4	
	Gas	mm (inch) x No.	Ø9.52 (3/8) x 3	Ø9.52 (3/8) x 3	Ø9.52 (3/8) x 4	

※ This Product is available from Apr.2020

Notes :

1. Capacities are based on the following conditions:

Cooling : - Indoor Temperature 27°C (80.6°F) DB / 19°C (66.2°F) WB - Outdoor Temperature 35°C (95°F) DB / 24°C (75.2°F) WB

Heating : - Indoor Temperature 20°C (68°F) DB / 15°C (59°F) WB - Outdoor Temperature 7°C (44.6°F) DB / 6°C (42.8°F) WB

Piping Length - Interconnecting Piping Length 7.5m - Level Difference of Zero.

2. * : See page "Combination Table".

3. Due to our policy of innovation some specifications may be changed without notification.

4. At least two indoor units should be connected

5. Minimum combination ratio should be more than 40%.

6. This product contains fluorinated greenhouse gases (R32)

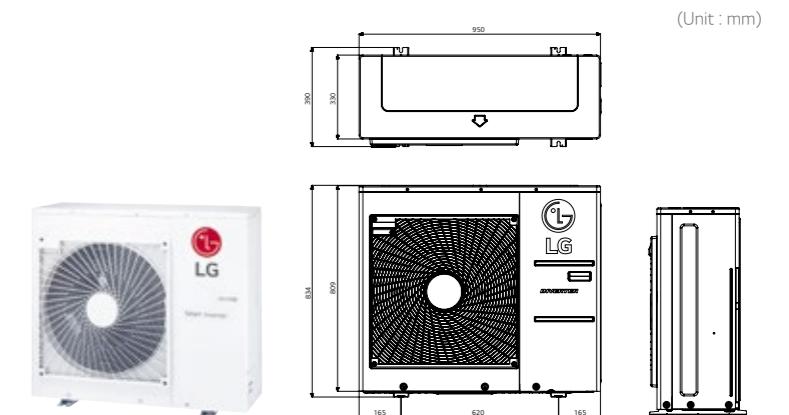
OUTDOOR UNITS



MU4R27
MU5R30



LG participates in the ECP programme for EUROVENT AC program.
Check ongoing validity of certification
: www.eurovent-certification.com



OUTDOOR UNITS				MU4R27 U40	MU5R30 U40
Compressor	Type			Twin Rotary	Twin Rotary
	Capacity *	Cooling	Min / Nom / Max kW	1.3 / 7.9 / 9.5	1.3 / 8.8 / 10.6
Capacity *	Heating	Min / Nom / Max kW	1.5 / 9.1 / 10.6	1.5 / 10.1 / 12.1	
	Low Temperature Capacity	Heating -7°C	Max kW	6.4	7.1
Power Input *	Cooling	Min / Nom / Max kW	0.4 / 1.8 / 2.9	0.4 / 2.0 / 3.4	
	Heating	Min / Nom / Max kW	0.6 / 2.1 / 3.4	0.6 / 2.2 / 3.6	
Running Current	Cooling	Min / Nom / Max A	1.9 / 8.1 / 13.1	1.9 / 9.1 / 15.2	
	Heating	Min / Nom / Max A	2.8 / 9.4 / 15.3	2.8 / 9.7 / 16.3	
EER			4.39	4.40	
COP			4.39	4.70	
SEER			8.00	8.20	
SCOP			4.20	4.20	
Pdesign (@-10°C)			kW	7.00	7.40
Seasonal Energy Label	Cooling / Heating (A+++ to D Scale)			A++ / A+	A++ / A+
Annual Energy Consumption	Cooling / Heating			346 / 2,333	376 / 2,467
Airflow Rate	Nom	m ³ /min	60	60	
Sound Pressure	Cooling	Nom dB(A)	50	50	
	Heating	Nom dB(A)	54	54	
Sound Power	Cooling	Max dB(A)	65	66	
Dimensions	W x H x D	mm	950 x 834 x 330	950 x 834 x 330	
Net Weight			Kg	61	61
Refrigerant	Type			R32	R32
	Charge			Kg	2.3
	Additional Charge			g/m	20
	GWP				675
	t-CO ₂ eq				1.55
Operation Range (Outdoor)	Cooling	Min / Max °C DB	-10 / 48	-10 / 48	
	Heating	Min / Max °C WB	-18 / 18	-18 / 18	
Power Supply			Ø, V, Hz	1, 220-240, 50	
Power Supply Cable			No. x mm ²	3C x 2.5	
Transmission Cable			No. x mm ²	4C x 0.75	
Circuit Breaker			A	25	
Piping Length Total			m	70	
Piping Length per Branch	Max	m	25	25	
Piping Elevation Difference	IDU - ODU	Max m	15	15	
	IDU - IDU	Max m	7.5	7.5	
Piping Connection	Liquid	mm (inch) x No.	Ø6.35 (1/4) x 4	Ø6.35 (1/4) x 5	
	Gas	mm (inch) x No.	Ø9.52 (3/8) x 4	Ø9.52 (3/8) x 5	

Notes :

1. Capacities are based on the following conditions:

Cooling : - Indoor Temperature 27°C (80.6°F) DB / 19°C (66.2°F) WB - Outdoor Temperature 35°C (95°F) DB / 24°C (75.2°F) WB

Heating : - Indoor Temperature 20°C (68°F) DB / 15°C (59°F) WB - Outdoor Temperature 7°C (44.6°F) DB / 6°C (42.8°F) WB

Piping Length - Interconnecting Piping Length 7.5m - Level Difference of Zero.

2. * : See page "Combination Table".

3. Due to our policy of innovation some specifications may be changed without notification.

4. At least two indoor units should be connected

5. Minimum combination ratio should be more than 40%.

6. This product contains fluorinated greenhouse gases (R32)

WALL MOUNTED



KBTU/H	5	7	9	12	15	18	24
KW	1.5	2.1	2.6	3.5	4.2	5.3	7.0

Wall Mounted	Gallery	-	-	MA09R NF1	MA12R NF1	-	-	-
	Mirror	-	AM07BP NSJ	AC09BQ NSJ	AC12BQ NSJ	-	AC18BQ NSK	AC24BQ NSK

ARTCOOL Gallery

INDOOR				MA09R NF1	MA12R NF1
Capacity	Cooling / Heating	Nom	kW	2.6 / 2.9	3.5 / 3.9
Power Input			W x No.	40 x 1	40 x 1
Running Current			A	0.1	0.1
Power Supply			Ø, V, Hz	1, 220-240, 50	1, 220-240, 50
Air Flow Rate		H / M / L	m³/min	7.7 / 5.9 / 4.4	8.9 / 7.3 / 5.6
Sound Pressure	Cooling	H / M / L	dB(A)	38 / 32 / 27	44 / 38 / 32
Sound Power	Cooling		dB(A)	52	54
Dehumidification Rate			l/h	1.2	1.4
Dimensions	Body	W x H x D	mm	600 x 600 x 145	600 x 600 x 145
Net Weight	Body		kg	15.0	15.0
Piping	Liquid		mm (inch)	Ø6.35 (1/4)	Ø6.35 (1/4)
Connections	Gas		mm (inch)	Ø9.52 (3/8)	Ø9.52 (3/8)

ARTCOOL Mirror

INDOOR				AM07BP NSJ	AC09BQ NSJ	AC12BQ NSJ	AC18BQ NSK	AC24BQ NSK
Capacity	Cooling / Heating	Nom	kW	2.1 / 2.3	2.5 / 3.2	3.5 / 3.8	5.0 / 5.8	6.6 / 7.5
Power Input			W	17	18	19	39	45
Running Current			A	0.14	0.16	0.17	0.28	0.33
Power Supply			Ø, V, Hz	1, 220-240, 50	1, 220-240, 50	1, 220-240, 50	1, 220-240, 50	1, 220-240, 50
Air Flow Rate		H / M / L	m³/min	8.6 / 7.2 / 5.6	9.2 / 7.4 / 5.6	9.6 / 8.1 / 5.6	14.2 / 11.3 / 9.9	15.2 / 12.7 / 10.2
Sound Pressure	Cooling	H / M / L	dB(A)	35 / 32 / 27	36 / 33 / 27	40 / 35 / 27	44 / 38 / 35	46 / 41 / 36
Sound Power	Cooling		dB(A)	57	57	57	59	65
Dehumidification Rate			l/h	0.9	1.1	1.2	1.9	2.6
Dimension		W x H x D	mm	837 x 308 x 192	837 x 308 x 192	837 x 308 x 192	998 x 345 x 212	998 x 345 x 212
Net weight			kg	9.1	9.9	9.9	13.2	11.6
Piping	Liquid		mm (inch)	Ø6.35 (1/4)	Ø6.35 (1/4)	Ø6.35 (1/4)	Ø6.35 (1/4)	Ø6.35 (1/4)
Connection	Gas		mm (inch)	Ø9.52 (3/8)	Ø9.52 (3/8)	Ø9.52 (3/8)	Ø12.7 (1/2)	Ø12.7 (1/2)

※ This product contains Fluorinated greenhouse gases (R32).

※ For our policy of continuous product improvement, specification, design and features are subject to change without prior notice.

WALL MOUNTED



KBTU/H	5	7	9	12	15	18	24
KW	1.5	2.1	2.6	3.5	4.2	5.3	7.0

Wall Mounted	Silver	-	-	AC09SQ NSJ	AC12SQ NSJ	-	AC18SQ NSK
	Air Purification	-	-	AP09RT NSJ	AP12RT NSJ	-	-

ARTCOOL Silver

INDOOR				AC09SQ NSJ	AC12SQ NSJ	AC18SQ NSK
Capacity	Cooling / Heating	Nom	kW	2.5 / 3.2	3.5 / 3.8	5.0 / 5.8
Power Input			W	18	19	39
Running Current			A	0.16	0.17	0.28
Power Supply			Ø, V, Hz	1, 220-240, 50	1, 220-240, 50	1, 220-240, 50
Air Flow Rate		H / M / L	m³/min	9.2 / 7.4 / 5.6	9.6 / 8.1 / 5.6	14.2 / 11.3 / 9.9
Sound Pressure	Cooling	H / M / L	dB(A)	36 / 33 / 27	40 / 35 / 27	44 / 38 / 35
Sound Power	Cooling		dB(A)	57	57	59
Dehumidification Rate			l/h	1.1	1.2	1.9
Dimension		W x H x D	mm	837 x 308 x 192	837 x 308 x 192	998 x 345 x 212
Net weight			kg	9.9	9.9	13.2
Piping	Liquid		mm (inch)	Ø6.35 (1/4)	Ø6.35 (1/4)	Ø6.35 (1/4)
Connection	Gas		mm (inch)	Ø9.52 (3/8)	Ø9.52 (3/8)	Ø12.7 (1/2)

Air Purification

INDOOR				AP09RT NSJ	AP12RT NSJ
Capacity	Cooling / Heating	Nom	kW	2.5 / 3.3	3.5 / 4.0
Power Input			W x No.	21	22
Running Current			A	0.18	0.19
Power Supply			Ø, V, Hz	1, 220-240, 50	1, 220-240, 50
Air Flow Rate		H / M / L	m³/min	10 / 6.6 / 4.2	10 / 6.6 / 4.2
Sound Pressure	Cooling	H / M / L	dB(A)	42 / 35 / 27	42 / 35 / 27
Sound Power	Cooling		dB(A)	59	59
Dehumidification Rate			l/h	0.9	0.9
Dimensions	Body	W x H x D	mm	857 x 348 x 189	857 x 348 x 189
Net Weight	Body		kg	9.5	9.5
Piping	Liquid		mm (inch)	Ø6.35 (1/4)	Ø6.35 (1/4)
Connections	Gas		mm (inch)	Ø9.52 (3/8)	Ø9.52 (3/8)

※ This product contains Fluorinated greenhouse gases (R32).

※ For our policy of continuous product improvement, specification, design and features are subject to change without prior notice.

WALL MOUNTED



KBTU/H	5	7	9	12	15	18	24
KW	1.5	2.1	2.6	3.5	4.2	5.3	7.0

Wall Mounted Unit	Deluxe		DM07RP NSJ	DC09RQ NSJ	DC12RQ NSJ	DC18RQ NSK	DC24RQ NSK
-------------------	--------	--	------------	------------	------------	------------	------------

DELUXE

INDOOR				DM07RP NSJ	DC09RQ NSJ	DC12RQ NSJ	DC18RQ NSK	DC24RQ NSK
Capacity	Cooling / Heating	Nom	kW	2.1 / 2.3	2.5 / 3.2	3.5 / 4.0	5.0 / 5.8	6.6 / 7.5
Power Input		Nom	W	17	18	19	39	45
Running Current		Nom	A	0.15	0.16	0.17	0.28	0.33
Power Supply			Ø, V, Hz	1, 220-240, 50	1, 220-240, 50	1, 220-240, 50	1, 220-240, 50	1, 220-240, 50
Air Flow Rate		H / M / L	m³/min	7.5 / 6.1 / 4.9	7.7 / 6.4 / 5.0	8.1 / 6.7 / 5.3	14.2 / 11.3 / 9.9	15.2 / 12.7 / 10.2
Sound Pressure	Cooling	H / M / L	dB(A)	35 / 31 / 26	36 / 32 / 27	38 / 34 / 29	44 / 38 / 34	47 / 41 / 36
Sound Power	Cooling		dB(A)	56	56	56	60	64
Dehumidification Rate			l/h	0.9	1.1	1.2	1.9	2.6
Dimension		W x H x D	mm	837 x 308 x 189	837 x 308 x 189	837 x 308 x 189	998 x 345 x 210	998 x 345 x 210
Net weight			kg	8.3	8.3	8.3	12.0	12.0
Piping Connection	Liquid		mm (inch)	Ø6.35 (1/4)	Ø6.35 (1/4)	Ø6.35 (1/4)	Ø6.35 (1/4)	Ø6.35 (1/4)
	Gas		mm (inch)	Ø9.52 (3/8)	Ø9.52 (3/8)	Ø9.52 (3/8)	Ø12.7 (1/2)	Ø12.7 (1/2)

※ This product contains Fluorinated greenhouse gases (R32).
 ※ For our policy of continuous product improvement, specification, design and features are subject to change without prior notice.

WALL MOUNTED



KBTU/H	5	7	9	12	15	18	24
KW	1.5	2.1	2.6	3.5	4.2	5.3	7.0

Wall Mounted Unit	Standard Plus		PM05SP NSJ	PM07SP NSJ	PC09SQ NSJ	PC12SQ NSJ	PM15SP NSJ	PC18SQ NSK	PC24SQ NSK
			MJ05PC NSJ	MJ07PC NSJ	MJ09PC NSJ	MJ12PC NSJ	MJ15PC NSJ	MJ18PC NSK	MJ24PC NSK

STANDARD PLUS

INDOOR				PM05SP NSJ	PM07SP NSJ	PC09SQ NSJ	PC12SQ NSJ	PM15SP NSJ	PC18SQ NSK	PC24SQ NSK
Capacity	Cooling / Heating	Nom	kW	1.5 / 1.6	2.1 / 2.3	2.5 / 3.2	3.5 / 3.8	4.2 / 5.4	5.0 / 5.8	6.6 / 7.5
Power Input		Nom	W	16	17	18	19	21	39	45
Running Current		Nom	A	0.13	0.14	0.16	0.17	0.18	0.28	0.33
Power Supply			Ø, V, Hz	1, 220-240, 50	1, 220-240, 50	1, 220-240, 50	1, 220-240, 50	1, 220-240, 50	1, 220-240, 50	1, 220-240, 50
Air Flow Rate		H / M / L	m³/min	8.3 / 6.7 / 5.6	8.6 / 7.2 / 5.6	9.2 / 7.4 / 5.6	9.6 / 8.1 / 5.6	10.0 / 8.5 / 6.1	14.2 / 11.3 / 9.9	15.2 / 12.7 / 10.2
Sound Pressure		H / M / L	dB(A)	34 / 31 / 27	35 / 32 / 27	36 / 33 / 27	40 / 35 / 27	41 / 36 / 29	44 / 38 / 35	46 / 41 / 36
Sound Power			dB(A)	57	57	57	57	57	59	65
Dehumidification Rate			l/h	0.9	0.9	1.1	1.2	1.2	1.9	2.6
Dimension		W x H x D	mm	837 x 308 x 189	837 x 308 x 189	837 x 308 x 189	837 x 308 x 189	837 x 308 x 189	998 x 345 x 210	998 x 345 x 210
Net weight			kg	7.4	7.4	8.7	8.7	8.7	12.0	12.8
Piping Connection	Liquid		mm (inch)	Ø6.35 (1/4)	Ø6.35 (1/4)	Ø6.35 (1/4)	Ø6.35 (1/4)	Ø6.35 (1/4)	Ø6.35 (1/4)	Ø6.35 (1/4)
	Gas		mm (inch)	Ø9.52 (3/8)	Ø9.52 (3/8)	Ø9.52 (3/8)	Ø9.52 (3/8)	Ø9.52 (3/8)	Ø12.7 (1/2)	Ø12.7 (1/2)

INDOOR				MJ05PC NSJ	MJ07PC NSJ	MJ09PC NSJ	MJ12PC NSJ	MJ15PC NSJ	MJ18PC NSK	MJ24PC NSK
Capacity	Cooling / Heating	Nom	kW	1.5 / 1.6	2.1 / 2.3	2.5 / 3.2	3.5 / 3.8	4.2 / 5.4	5.0 / 5.8	6.6 / 7.5
Power Input		Nom	W	16	17	18	19	21	39	45
Running Current		Nom	A	0.13	0.14	0.16	0.17	0.18	0.28	0.33
Power Supply			Ø, V, Hz	1, 220-240, 50	1, 220-240, 50	1, 220-240, 50	1, 220-240, 50	1, 220-240, 50	1, 220-240, 50	1, 220-240, 50
Air Flow Rate		H / M / L	m³/min	8.3 / 6.7 / 5.6	8.6 / 7.2 / 5.6	9.2 / 7.4 / 5.6	9.6 / 8.1 / 5.6	10.0 / 8.5 / 6.1	14.2 / 11.3 / 9.9	15.2 / 12.7 / 10.2
Sound Pressure		H / M / L	dB(A)	34 / 31 / 27	35 / 32 / 27	36 / 33 / 27	40 / 35 / 27	41 / 36 / 29	44 / 38 / 35	46 / 41 / 36
Sound Power			dB(A)	57	57	57	57	57	59	65
Dehumidification Rate			l/h	0.9	0.9	1.1	1.2	1.2	1.9	2.6
Dimension		W x H x D	mm	837 x 308 x 189	837 x 308 x 189	837 x 308 x 189	837 x 308 x 189	837 x 308 x 189	998 x 345 x 210	998 x 345 x 210
Net weight			kg	8.7	8.7	8.7	8.7	8.7	12.0	12.8
Piping Connection	Liquid		mm (inch)	Ø6.35 (1/4)	Ø6.35 (1/4)	Ø6.35 (1/4)	Ø6.35 (1/4)	Ø6.35 (1/4)	Ø6.35 (1/4)	Ø6.35 (1/4)
	Gas		mm (inch)	Ø9.52 (3/8)	Ø9.52 (3/8)	Ø9.52 (3/8)	Ø9.52 (3/8)	Ø9.52 (3/8)	Ø12.7 (1/2)	Ø12.7 (1/2)

※ This product contains Fluorinated greenhouse gases (R32).
 ※ For our policy of continuous product improvement, specification, design and features are subject to change without prior notice.

WALL MOUNTED



KBTU/H	5	7	9	12	15	18	24
KW	1.5	2.1	2.6	3.5	4.2	5.3	7.0

Wall Mounted Unit	Standard2	NEW	MS07ET NSJ	S09ET NSJ	S12ET NSJ	S18ET NSK	S24ET NSK
			●	○●	○●	○●	○●

Standard 2

INDOOR				MS07ET NSJ	S09ET NSJ	S12ET NSJ	S18ET NSJ	S24ET NSJ
Capacity	Cooling / Heating	Nom	kW	2.1 / 2.3	2.5 / 3.2	3.5 / 3.8	5.0 / 5.8	6.6 / 7.5
Power Input		Nom	W	17	18	19	39	45
Running Current		Nom	A	0.14	0.16	0.17	0.28	0.33
Power Supply			∅, V, Hz	1, 220-240, 50	1, 220-240, 50	1, 220-240, 50	1, 220-240, 50	1, 220-240, 50
Air Flow Rate		H / M / L	m ³ /min	8.6 / 7.2 / 5.6	9.2 / 7.4 / 5.6	9.6 / 8.1 / 5.6	14.2 / 11.3 / 9.9	15.2 / 12.7 / 10.2
Sound Pressure	Cooling	H / M / L	dB(A)	35 / 32 / 27	36 / 33 / 27	40 / 35 / 27	44 / 38 / 35	46 / 41 / 36
Sound Power	Cooling		dB(A)	57	57	57	59	65
Dehumidification Rate			l/h	0.9	0.9	0.9	0.9	0.9
Dimension		W x H x D	mm	837 x 308 x 189	837 x 308 x 189	837 x 308 x 189	998 x 345 x 210	998 x 345 x 210
Net weight			kg	8.7	8.7	8.7	11.9	12.7
Piping Connection	Liquid		mm (inch)	∅6.35 (1/4)	∅6.35 (1/4)	∅6.35 (1/4)	∅6.35 (1/4)	∅6.35 (1/4)
	Gas		mm (inch)	∅9.52 (3/8)	∅9.52 (3/8)	∅9.52 (3/8)	∅12.7 (1/2)	∅12.7 (1/2)

※ This product contains Fluorinated greenhouse gases (R32).

※ For our policy of continuous product improvement, specification, design and features are subject to change without prior notice.

CEILING MOUNTED



KBTU/H	5	7	9	12	15	18	24
KW	1.5	2.1	2.6	3.5	4.2	5.3	7.0

Ceiling Mounted Cassette	1 Way Cassette	NEW	MT09R NU1	MT11R NU1	MT06R NRO	MT08R NRO	CT09F NRO	CT12F NRO	CT18F NQ0	CT24F NB0
			●	●	●	●	○●	○●	○●	○●
			●	●	●	●	○●	○●	○●	○●

※ Dual vane is applied to 24k (4 Way cassette)

1 Way Cassette

INDOOR				MT09R NU1	MT11R NU1
Capacity	Cooling / Heating	Nom	kW	2.6 / 2.9	3.5 / 3.9
Power Input		Nom	W	20	20
Running Current		Nom	A	0.2	0.2
Power Supply			∅, V, Hz	1, 220-240, 50	1, 220-240, 50
Air Flow Rate		H / M / L	m ³ /min	7.5 / 7.3 / 6.8	8.1 / 7.4 / 7.0
Sound Pressure	Cooling	H / M / L	dB(A)	36 / 34 / 32	37 / 36 / 33
Sound Power	Cooling	Max	dB(A)	54	57
Dehumidification Rate			l/h	1.1	1.2
Dimensions	Body	W x H x D	mm	860 x 132 x 450	860 x 132 x 450
Net Weight	Body		kg	13.5	13.5
Piping Connection	Liquid		mm (inch)	∅6.35 (1/4)	∅6.35 (1/4)
	Gas		mm (inch)	∅9.52 (3/8)	∅9.52 (3/8)
Decoration Panel	Model			PT-UUC1	PT-UUC1
	Color			Morning Fog (RAL120-4)	Morning Fog (RAL120-4)
	Dimensions	W x H x D	mm	1,100 x 34 x 500	1,100 x 34 x 500
	Weight		kg	4.4	4.4

4 Way Cassette

INDOOR				MT06R NRO	MT08R NRO	CT09F NRO	CT12F NRO	CT18F NQ0	CT24F NB0
Capacity	Cooling / Heating	Nom	kW	1.5 / 1.6	2.1 / 2.3	2.6 / 2.9	3.5 / 3.9	5.3 / 5.8	6.7 / 7.5
Power Input		Nom	W	20	20	20	20	40	60
Running Current		Nom	A	0.40	0.40	0.40	0.40	0.40	0.60
Power Supply			∅, V, Hz	1, 220-240, 50	1, 220-240, 50	1, 220-240, 50	1, 220-240, 50	1, 220-240, 50	1, 220-240, 50
Air Flow Rate		H / M / L	m ³ /min	7.5 / 6.0 / 5.0	7.5 / 6.0 / 5.0	8.5 / 7.0 / 6.0	9.5 / 8.0 / 7.0	13.0 / 12.0 / 11.0	17.0 / 15.0 / 13.0
Sound Pressure		H / M / L	dB(A)	31 / 27 / 24	31 / 27 / 24	36 / 33 / 30	38 / 35 / 32	41 / 39 / 36	38 / 36 / 34
Sound Power			dB(A)	48	48	52	52	57	57
Dehumidification Rate			l/h	-	-	0.9	1.4	2.0	2.7
Dimension		W x H x D	mm	570 x 214 x 570	570 x 214 x 570	570 x 214 x 570	570 x 214 x 570	570 x 256 x 570	840 x 204 x 840
Net weight			kg	14.0	14.0	14.0	14.0	14.3	20.5
Piping Connection	Liquid		mm (inch)	∅6.35 (1/4)	∅6.35 (1/4)	∅6.35 (1/4)	∅6.35 (1/4)	∅6.35 (1/4)	∅6.35 (1/4)
	Gas		mm (inch)	∅9.52 (3/8)	∅9.52 (3/8)	∅9.52 (3/8)	∅9.52 (3/8)	∅12.7 (1/2)	∅12.7 (1/2)
Decoration Panel	Model			PT-QCHW0	PT-QCHW0	PT-QCHW0	PT-QCHW0	PT-QCHW0	PT-AAGW0
	Color			Morning Fog (RAL 120-4)					White
	Dimensions	W x H x D	mm	620 x 20 x 620	620 x 20 x 620	620 x 20 x 620	620 x 20 x 620	620 x 20 x 620	950 x 35 x 950
	Weight		kg	3.0	3.0	3.0	3.0	3.0	7.1

※ This product contains Fluorinated greenhouse gases (R32).

※ For our policy of continuous product improvement, specification, design and features are subject to change without prior notice.

